

SMARTFLOW®

FLOW REGULATORS



General Description

Smartflow® flow regulators provide a unique, leak-free, single-point manual flow control. This regulator incorporates the proven mechanical flowmeter and integral needle valve in a compact design. Very few moving parts improve reliability and leak-free operation.

Used singly or in combination with a water manifold, the flow regulator allows manual control of individual cooling water lines.

Features and Benefits

- ◆ **Compact size** works well in restricted-space locations.
- ◆ **Rugged construction** provides years of dependable service.
- ◆ **210°F (99°C) Temperature Rating** allows installation into a wide range of applications.
- ◆ **Optional Temperature Gauge** displays additional process information.
- ◆ **No Mounting Restrictions** ease installation in any position without extra brackets or hardware.

Model Number

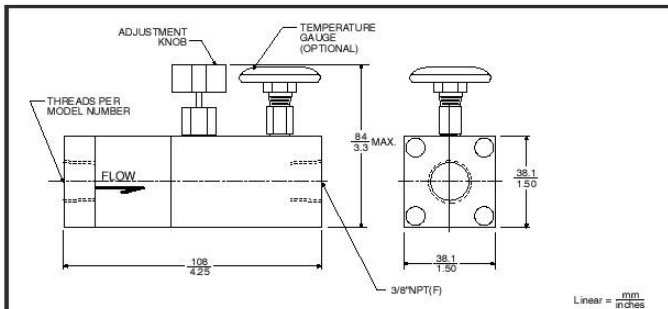
FR 3 - B - 25

Inlet Size		Flow Rate (maximum)
1/4" NPT(F)	2	15 1.5 gpm (gallons per min.)
1/4" BSPP(F)	2B	25 2.5 gpm
3/8" NPT(F)	3	80 8.0 gpm
3/8" BSPP(F)	3B	100 10 lpm (liters per minute)
1/2" NPT(F)	4	300 30 lpm
1/2" BSPP(F)	4B	

Accessories

- A** Flow regulator only
- B** Thermometer
- E** Thermometer and quick change socket and plug

Dimensions



Wetted Parts and Materials

- End Caps & Regulator BodyBrass
- Flow BodyPolysulfone
- VaneGlass-Filled Nylon
- SpringStainless Steel
- O-RingsEPDM
- Cap ScrewsStainless Steel
- Optional Quick-Connect FittingsBrass

Specifications

- Flow Accuracy±10% full scale
- Operating Temperature210°F max.
(99°C max.)
- Operating Pressure100 psi max.
(6.9 bar max.)
- Dial Thermometer0° to 250°F
(-20° to 120°C)
±2% accuracy (full scale)

